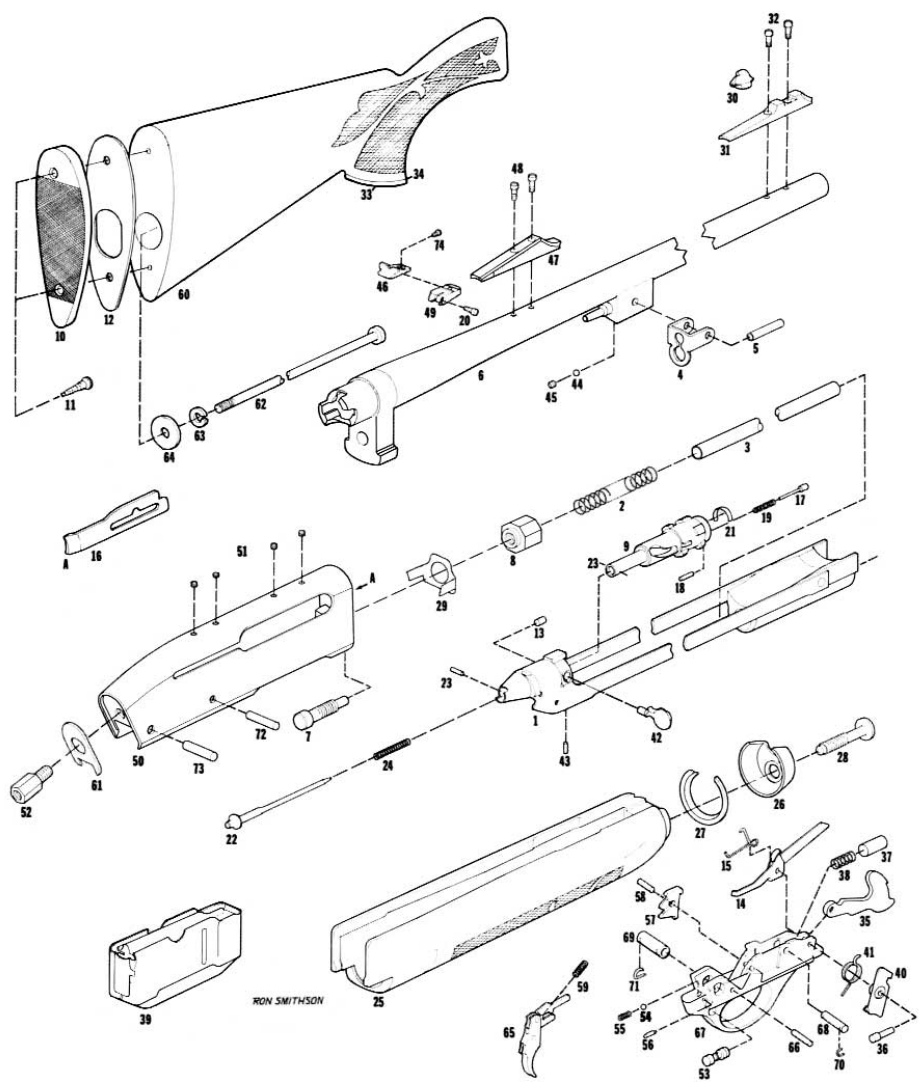


MODEL 7400™

Autoloading Centerfire Rifle



MODEL 7400™

Autoloading Centerfire Rifle

PARTS LIST

VIEW # PART NAME

NOTE: Basic .30-06 Caliber listed below.
See Exploded View for proper identification of parts.

1	Action Bar Assembly
2	Action Spring
3	Action Tube
4	Action Tube Support
5	Action Tube Support Pin
6	Barrel Assembly
7	Barrel Extension Bolt
8	Barrel Take Down Nut (.30-06)
9	Breech Bolt
10	Butt Plate Frame (New Style not Shown)
11	Butt Plate Frame Screw
	Butt Plate Insert (New Style not Shown)
	Butt Plate Insert Screw
13	Cam Pin
14	Disconnecter
15	Disconnecter Spring
16	Ejector Port Cover
17	Ejector
18	Ejector Retaining Pin
19	Ejector Spring
20	Elevation Screw
21	Extractor
22	Firing Pin
23	Firing Pin Retaining Pin
24	Firing Pin Retracting Spring
25	Fore-End Assembly
	Fore-End Reinforcement Assembly
26	Fore-End Cap
27	Fore-End Cap Spacer
28	Fore-End Screw
29	Fore-End Spring
30	Front Sight
31	Front Sight Ramp
32	Front Sight Ramp Screw
33	Grip Cap
35	Hammer
36	Hammer Pin
37	Hammer Plunger

VIEW # PART NAME

NOTE: Parts subject to change without notice
FOB Iilon, New York.

38	Hammer Spring
39	Magazine Assembly
40	Magazine Latch
41	Magazine Latch Spring
42	Operating Handle
43	Operating Handle Retaining Pin
44	Orifice Ball
45	Orifice Screw
46	Rear Sight Aperture
47	Rear Sight Base
48	Rear Sight Base Screw
49	Rear Sight Slide
50	Receiver Assembly
51	Receiver Plug Screw
52	Receiver Stud
53	Safety Mechanism
54	Safety Mechanism Detent Ball
55	Safety Mechanism Spring
56	Safety Mechanism Spring Retaining Pin
57	Sear
58	Sear Pin
59	Sear Spring
60	Stock Assembly
61	Stock Bearing Plate
62	Stock Bolt
63	Stock Bolt Lock Washer
64	Stock Bolt Washer
65	Trigger Assembly
66	Trigger Pin
67	Trigger Plate
	Trigger Plate Assembly
68	Trigger Plate Pin Bushing, Front
69	Trigger Plate Pin Bushing, Rear
70	Trigger Plate Pin Detent Spring, Front
71	Trigger Plate Pin Detent Spring, Rear
72	Trigger Plate Pin, Front
73	Trigger Plate Pin, Rear
74	Windage Screw