

Hornady[®]
Accurate. Deadly. Dependable.

OWNER'S MANUAL
M-1 CASE TUMBLER



Item No. 050202 - 110V
Item No. 050204 - 220V

Instructional videos for Hornady[®] reloading products are available at hornady.com.

IMPORTANT SAFETY INSTRUCTIONS

Read All Instructions

Reloading is an enjoyable and rewarding experience. This case tumbler will add to the quality of your reloaded ammunition. It has been designed from the beginning with the user's safety in mind.

As with any mechanical device, safety rules must be followed. By observing these rules, the chance of a hazardous occurrence becomes extremely remote.

GENERAL

- Use the equipment as the manufacturer recommends.
- Study the instructions carefully and become thoroughly familiar with the operation of the tool. Don't take short cuts.
- Observe "good housekeeping" in the reloading area.
- Keep tools and components neat, clean and orderly.
- Wear adequate eye protection.
- This appliance is not intended for use by persons (including children) with reduced physical, sensory or mental capabilities, or lack of experience and knowledge, unless they have been given supervision or instruction concerning use of the appliance by a person responsible for their safety.
- Children should be supervised to ensure that they do not play with the appliance.

WARNINGS

- Read this instruction manual thoroughly before attempting to operate this product.
- Do not use any chemicals other than those specifically recommended by the manufacturer for cartridge case cleaning.
- Do not attempt to salvage badly corroded cases which might be structurally weak.
- Do not attempt to clean loaded ammunition under any circumstances.

ELECTRICAL

- The 110VAC unit is equipped with a three prong grounded cord. The 220VAC unit is equipped with a European two prong round cord. Plug only into a proper outlet.
- Do not work on wet floors.
- Do not plug into electrical outlet until the proper voltage is supplied.
- Keep all electric cords away from moisture, rain and moving parts.
- Periodically check all cords for worn/frayed spots and replace or repair to code if needed.
- If the supply cord is damaged, it must be replaced by the manufacturer, its service agent or similarly qualified persons in order to avoid a hazard.

OPERATOR

- Wear clothing that is not loose. Loose clothing can be drawn into machinery.
- Keep your hands and fingers away from “danger” spots where they might be injured.
- Keep children and visitors away from machinery.
- Take off loose jewelry before using machines. Be sure that all moving parts are shielded and all guards are in place before operating any equipment.

RECORD KEEPING

Keep complete records of reloads. Apply a descriptive label to each box showing the date produced and the primer, powder and bullet used. Labels for this purpose are packaged with Hornady bullets.

Since Hornady has no control over the choice of components, the manner in which they are assembled, the use of the product, or the firearms in which the resulting ammunition may be used, no responsibility, either expressed or implied is assumed for the use of ammunition reloaded with this product.

INTRODUCTION

The Hornady Case Tumbler has been designed specifically for cleaning and polishing a large quantity of cartridge cases quickly and efficiently. Features of the case tumbler include a full 3-1/2 quart working capacity, thick bowl, wide, stable base and a quiet fan-cooled, sealed ball-bearing motor. This case tumbler is easy to use and by following these instructions, should provide safe, maintenance-free operation.

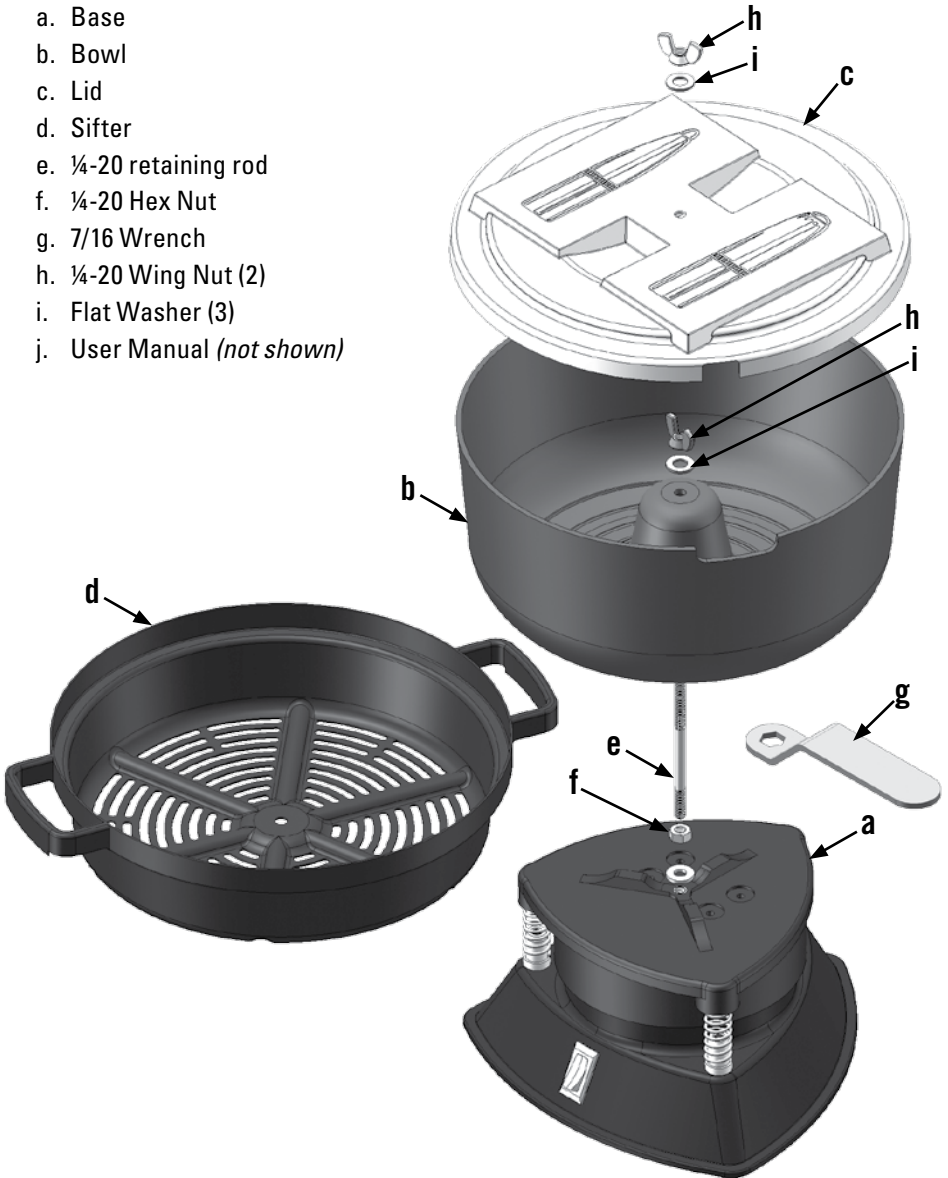
UNPACKING

Unpack the case tumbler and take a few minutes to review these instructions and familiarize yourself with the various parts of the cleaner.

ASSEMBLING THE CASE TUMBLER

1. Remove components from packaging.

- a. Base
- b. Bowl
- c. Lid
- d. Sifter
- e. ¼-20 retaining rod
- f. ¼-20 Hex Nut
- g. 7/16 Wrench
- h. ¼-20 Wing Nut (2)
- i. Flat Washer (3)
- j. User Manual (*not shown*)



2. Assemble the Retaining Rod into the base by screwing the ¼" Hex Nut onto the end of the Retaining Rod with the shorter threads. It should screw on about 3/8".

3. Place a washer onto the Retaining Rod before screwing into the Base.

Note: If while screwing the Retaining Rod into the Base you feel resistance before the washer and nut are tight, back the Retaining Rod off by 1 turn.

4. Tighten the Hex Nut with the included Wrench, careful not to overtighten.

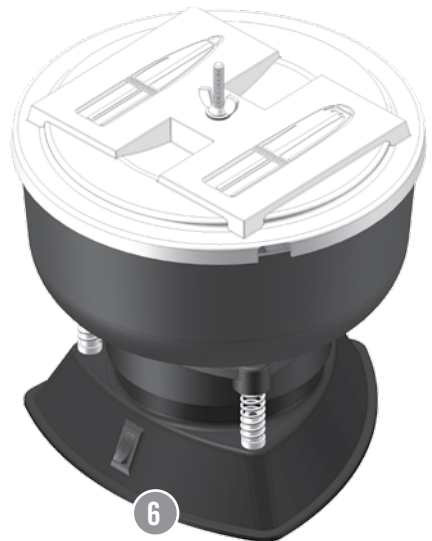
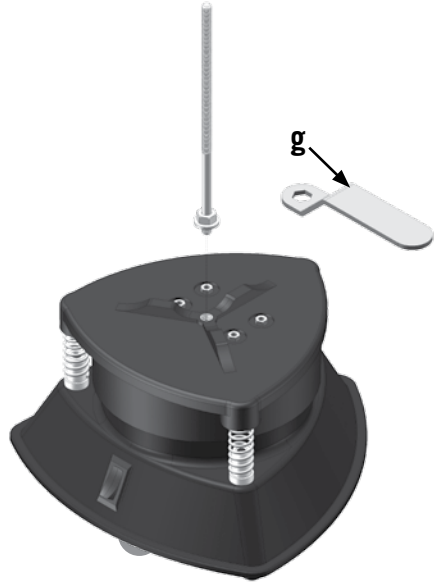
5. The Bowl can now be placed over the Retaining Bolt and is held onto the base with the Washer and Wing Nut.

6. The Lid is held in place with the second Washer and Wing Nut.

To operate the tumbler, place brass cases and approximately 1 quart of tumbling media into the bowl.

Note: While the maximum total fill weight is 5 pounds, the unit works best with 2 to 4 pounds of cases and media.

Use the switch on the front of the unit to turn the unit on and off.



OPERATING INSTRUCTIONS

After unpacking the case tumbler, set the unit on a solid, level surface to operate. The cleaning bowl is engineered to create a fast internal cyclonic action. For best results, the bowl should be at least half full with dry media. Then, load with cases. The unit will hold approximately 400 .38 Special cases, 180 .30-06 cases or the equivalent amount of other sized cases. The best ratio of cases and media will be determined by you as you use the unit. Replace the lid and tighten the nut in the center of the lid. Plug the power cord into the electrical outlet, turn the on/off switch to the "on" position and the unit will start the vibrating action. Running time will be determined by the condition of the cases and the degree of cleanliness desired.

To empty the bowl, first turn the unit off and unplug the power cord. Then remove the lid by unscrewing the nut in the center of the lid. Next, simply turn the entire unit upside down to pour the contents into a container. Again, be sure to unplug the unit from the electrical outlet. Separating the media from the cases can be made easier with the use of the included Media Sifter.

Do not attempt to make any adjustments or repairs to the electrical system of the Case Tumbler. Contact the Customer Service Department at Hornady for this service.

EMPTYING THE CASE TUMBLER

The included media sifter can be placed into a large bucket or box. The handles are designed to set onto the rim of a standard 3 or 5 gallon bucket (bucket not included). The sifter can then be gently shaken side to side to continue separating the tumbling media from the cases.



WARRANTY REGISTRATION

Complete the warranty registration form at hornady.com/warranties.

LIMITED WARRANTY

Congratulations on the purchase of your new Hornady Case Tumbler. Your new unit is warranted to be free from defects in material or workmanship for a period of one (1) year from the date of purchase. This warranty is extended only to the original consumer purchaser. Should you believe that your Hornady Case Tumbler is defective in material or workmanship, you must return it to Hornady Manufacturing.

All tool return claims must have a Return Authorization (RA) number assigned before acceptance at our facility for further examination. Please DO NOT send tool items without obtaining a RA number from our Customer Service staff.

All tool warranty claims are handled on a case-by-case basis. In order to initiate a claim, please contact our Customer Service Technicians at 800-338-3220.

Hornady Manufacturing, 3625 W Old Potash Hwy, Grand Island, NE 68803

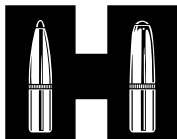
Please complete the attached warranty registration form and mail to us at the above address within 30 days of purchase. Failure to register your purchase will not adversely affect your warranty rights if you can otherwise show in a reasonable way the date the product was purchased (e.g. your dated purchase receipt). By registering your product we establish in our files the date of purchase and your registration provides us with information that allows us to better meet your needs in the future.

THIS WARRANTY DOES NOT COVER DEFECTS OR DAMAGE RESULTING FROM: CARELESSNESS, MISUSE, IMPROPER INSTALLATION, MODIFICATION, OR IF YOUR VIBRATORY HAS BEEN ALTERED OR REPAIRED BY ANYONE OTHER THAN FACTORY PERSONNEL, COMMERCIAL USE OR ACTS OF NATURE (i.e. fire or flood).

WARRANTY SERVICES CANNOT BE PROVIDED WITHOUT MEETING THE ABOVE REQUIREMENTS. Please retain this warranty certificate for future reference.

THE IMPLIED WARRANTIES OF MERCHANTABILITY AND FITNESS FOR A PARTICULAR PURPOSE ARE LIMITED TO THE DURATION OF THIS LIMITED WARRANTY. HORNADY MANUFACTURING IS NOT LIABLE FOR DAMAGES IN EXCESS OF THE PURCHASE PRICE OF THE PRODUCT AND UNDER NO CIRCUMSTANCES SHALL HORNADY MANUFACTURING BE LIABLE FOR CONSEQUENTIAL OR INCIDENTAL DAMAGES. HOWEVER, SOME STATES DO NOT ALLOW LIMITATIONS ON INCIDENTAL OR CONSEQUENTIAL DAMAGES, SO THE ABOVE LIMITATIONS OR EXCLUSIONS MAY NOT APPLY TO YOU.

The above warranty provides the sole and exclusive warranty available to the customer in the event of a defect in material or workmanship in the Case Tumbler. This warranty gives you specific legal rights, and you may also have other rights which vary from state to state.



Hornady[®]
Accurate. Deadly. Dependable.

P.O. Box 1848, Grand Island, Nebraska 68802-1848
308-382-1390 • 800-338-3220 • Fax: 308-382-5761
www.hornady.com • Hornady.com/contact_us