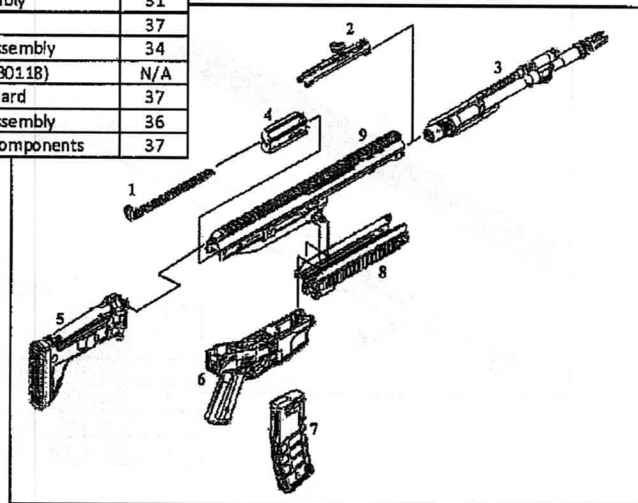
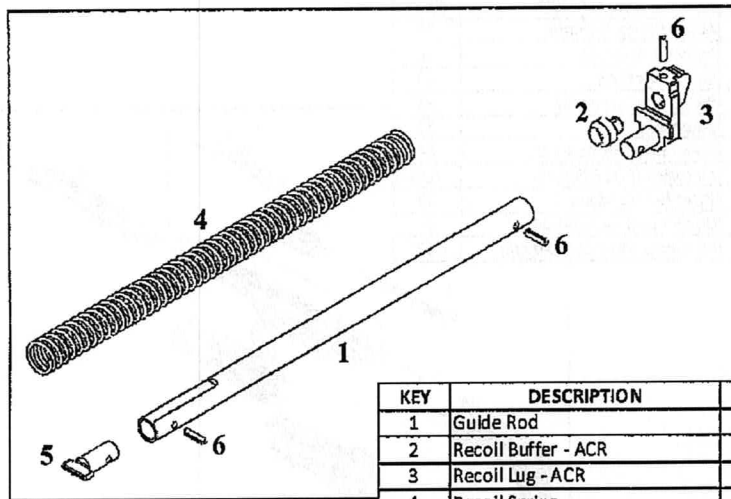


8.1 SCHEMATIC-- MASTER

KEY	DESCRIPTION	PAGE
1	Action Spring Assembly	29
2	Actuator Assembly	30
3	Barrel Assembly	33
4	Bolt Carrier Assembly	31
5	Buttstock	37
6	Lower Receiver Assembly	34
7	Magazine (P/N FS30118)	N/A
8	Three Rail Handguard	37
9	Upper Receiver Assembly	36
	Reconfiguration Components	37



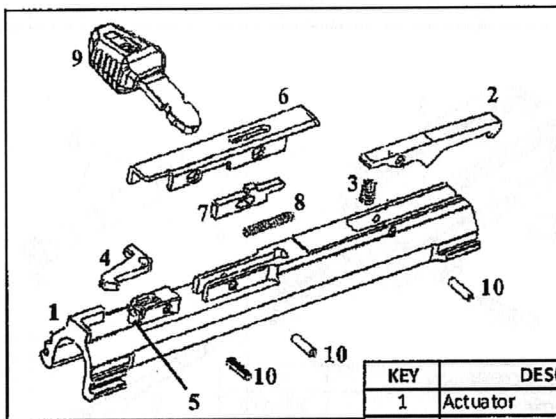
8.2 SCHEMATIC—ACTION SPRING ASSEMBLY



KEY	DESCRIPTION	P/N
1	Guide Rod	100-2008
2	Recoil Buffer - ACR	100-2007
3	Recoil Lug - ACR	100-2006
4	Recoil Spring	100-2004
5	Rod End Front	100-2002
6	Spring Pin - .094 X .38 LG	100-0121

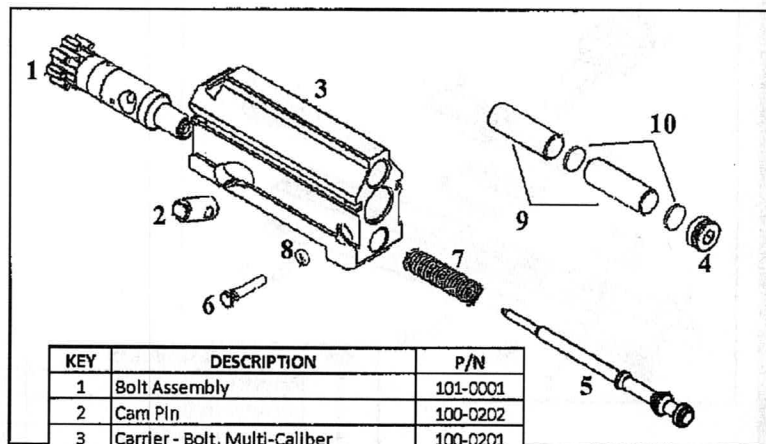
8 - SCHEMATIC - 8

8.3 SCHEMATIC- ACTUATOR ASSEMBLY



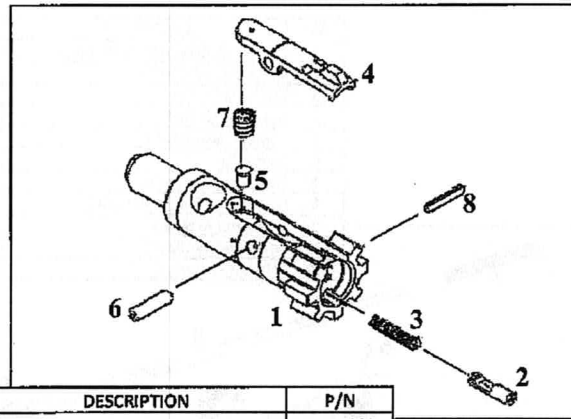
KEY	DESCRIPTION	P/N
1	Actuator	100-0208
2	Actuator Hook	100-1808
3	Actuator Hook Spring	100-0120
4	Actuator Lock	100-1807
5	Actuator Lock Spring	100-0191
6	Actuator Slide	100-1805
7	Blade Lock - ACR	100-1806
8	Blade Spring Lock - ACR	100-0192
9	Charging Handle	100-0187
10	Spring Pin .094 X .38 LG	100-0121

8.4 SCHEMATIC—BOLT CARRIER ASSEMBLY



KEY	DESCRIPTION	P/N
1	Bolt Assembly	101-0001
2	Cam Pin	100-0202
3	Carrier - Bolt, Multi-Caliber	100-0201
4	Carrier Plug	100-0214
5	Firing Pin	100-0203
6	Firing Pin Retaining Pin	100-0205
7	Firing Pin Spring	701-0014
8	O-Ring - Viton	100-0151
9	Rate Mass	100-0206
10	Rate Mass Bumper	100-0207

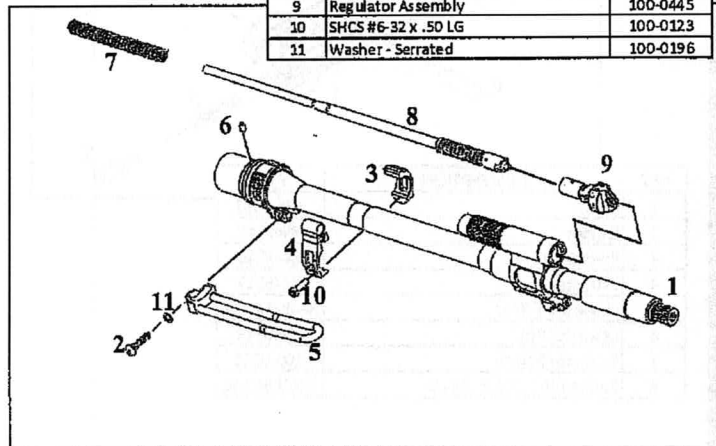
8.5 SCHEMATIC- BOLT ASSEMBLY



KEY	DESCRIPTION	P/N
1	Bolt	101-0002
2	Ejector	8448515
3	Ejector Spring	8448516
4	Extractor	8448512
5	Extractor Buffer	8448754-BLK
6	Extractor Pin	8448513
7	Extractor Spring	100-0221
8	Spring Pin - .062 X .44 LG	MS16562-98

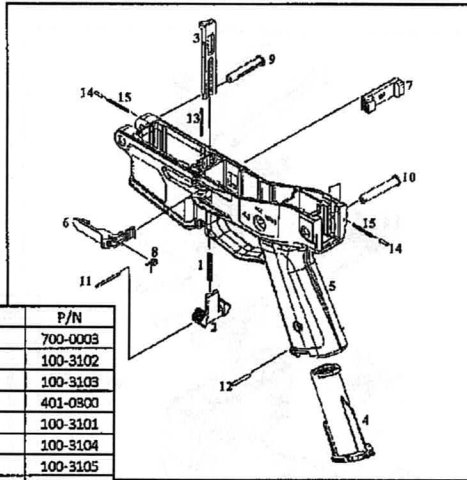
8.6 SCHEMATIC—BARREL ASSEMBLY

KEY	DESCRIPTION	P/N
1	Barrel Sub Assembly - 5.56mm 14.5"	101-2101
2	BHCS #8-32 X .75 LG	100-0195
3	Guide Block- Left	100-0452
4	Guide Block- Right	100-0451
5	Handle - Barrel Lock	100-0305
6	Index Pin	100-0325
7	Operating Rod Spring	701-0001
8	Piston / Op Rod - Mid Length	100-0443
9	Regulator Assembly	100-0445
10	SHCS #6-32 x .50 LG	100-0123
11	Washer - Serrated	100-0196



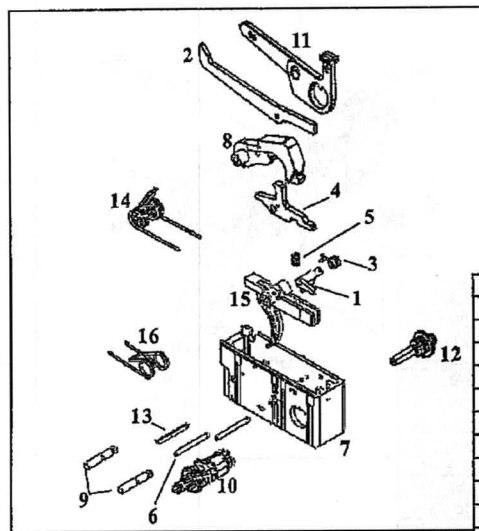
8 - SCHEMATIC - 8

8.7 SCHEMATIC- LOWER RECEIVER ASSEMBLY



KEY	DESCRIPTION	P/N
1	Bolt Catch Spring	700-0003
2	Bolt Release Paddle	100-3102
3	Bolt Stop	100-3103
4	Grip Insert	401-0900
5	Grip, Lower	100-3101
6	Magazine Catch	100-3104
7	Magazine Catch Button	100-3105
8	Magazine Catch Spring	100-3106
9	Pin- Front, Lower Receiver	100-0147
10	Pin- Rear, Lower Receiver	100-0145
11	Spring Pin .063 X 1.00	100-0130
12	Spring Pin .094 X .75	100-0132
13	Spring Pin .094 X 1.00	100-0131
14	Takedown Pin Detent	8448585
15	Takedown Pin Detent Spring	100-0317

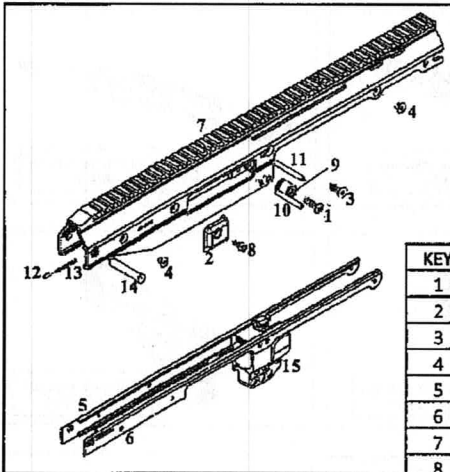
8.8 SCHEMATIC—FIRE CONTROL ASSEMBLY



KEY	DESCRIPTION	P/N
1	Auto Sear	100-3704
2	Auto Sear Lever	100-3705
3	Auto Sear Spring	100-3706
4	Disconnecter	8448635-MOD
5	Disconnecter Spring	8448594
6	Dowel Pin .094 X 1.000	100-0115
7	Fire-Control Insert - F/A	100-3701
8	Hammer - F/A	100-0314
9	Hammer - Trigger Pin	8448609
10	Selector Cam	100-3702
11	Selector Detent Plate	100-3708
12	Selector Lever	100-3703
13	Spring Pln .094 X .88	100-0137
14	Spring, Hammer	8448511
15	Trigger - F/A	100-0312
16	Trigger Spring	8448593

8 - SCHEMATIC - 8

8.9 SCHEMATIC- UPPER RECEIVER ASSEMBLY



KEY	DESCRIPTION	P/N
1	BHCS #10-32 X .63 Hex	100-0117
2	Brass Deflector	100-0152
3	FHCS #10-32 X .5 Hex	100-0116
4	Rail Screw	100-0140
5	Receiver Rail - Left	100-0102
6	Receiver Rail - Right	100-0103
7	Receiver, Upper	100-1001
8	SHCS #8-32 X .31 LG	100-0161
9	Sling Mount, QD	204-0104
10	Spring Pin .156 X 1.250	100-0113
11	Spring Pin .156 X 1.38	100-0114
12	Takedown Pin Detent	8448585
13	Takedown Pin Spring	100-0317
14	Takedown Pin	100-0149
15	Trunnion Assembly	100-5000

8.10 SCHEMATIC—RECONFIGURATION COMPONENTS

