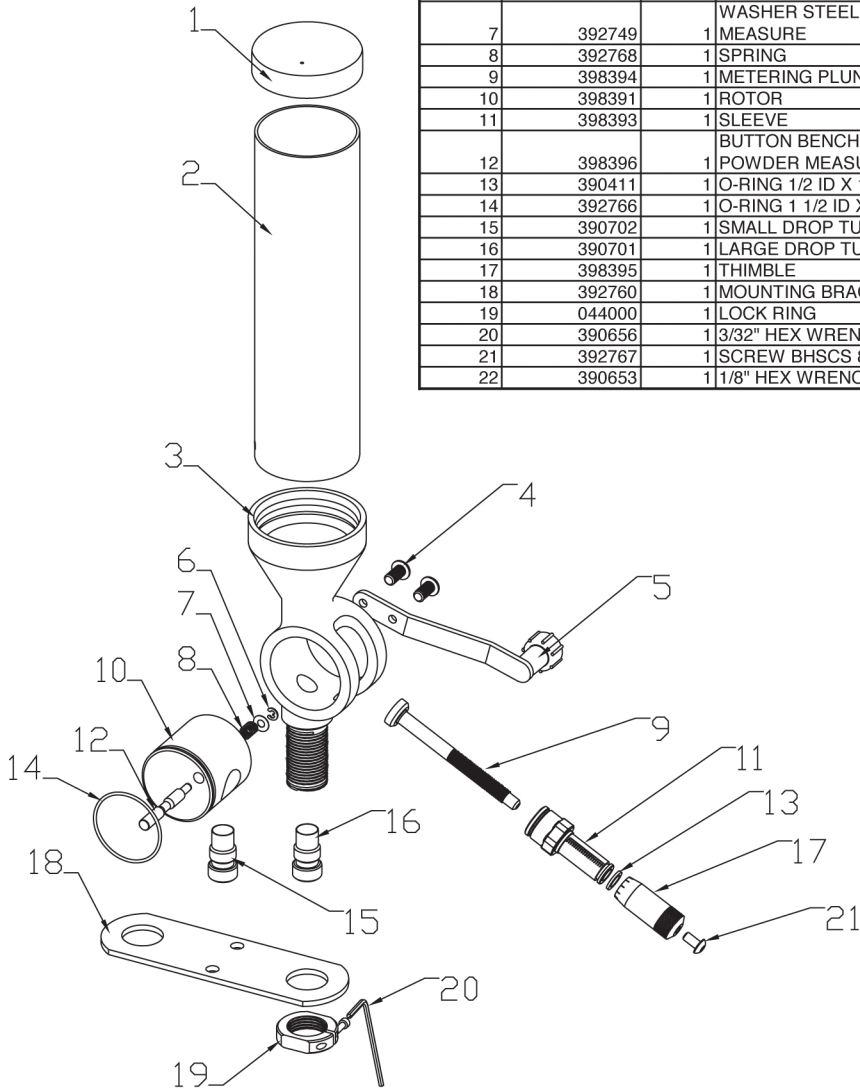


# Parts Breakdown

Item No.	Production Part Number	Qty.	Description
1	170405	1	HOPPER CAP
2	398520	1	HOPPER
3	392740	1	BODY
4	392719	2	SCREW BHSCS 10-32 X 3/8
5	392752	1	HANDLE ASSEMBLY
6	392748	1	CLIP C 5/32
7	392749	1	WASHER STEEL POWDER MEASURE
8	392768	1	SPRING
9	398394	1	METERING PLUNGER
10	398391	1	ROTOR
11	398393	1	SLEEVE
12	398396	1	BUTTON BENCH REST POWDER MEASURE
13	390411	1	O-RING 1/2 ID X 1 1/16 OD
14	392766	1	O-RING 1 1/2 ID X 1 5/8 OD
15	390702	1	SMALL DROP TUBE
16	390701	1	LARGE DROP TUBE
17	398395	1	THIMBLE
18	392760	1	MOUNTING BRACKET
19	044000	1	LOCK RING
20	390656	1	3/32" HEX WRENCH
21	392767	1	SCREW BHSCS 8-32 X 3/8
22	390653	1	1/8" HEX WRENCH



P.O. Box 1848 • Grand Island, NE 68802-1848  
 (308) 382-1390 • [www.hornady.com](http://www.hornady.com)