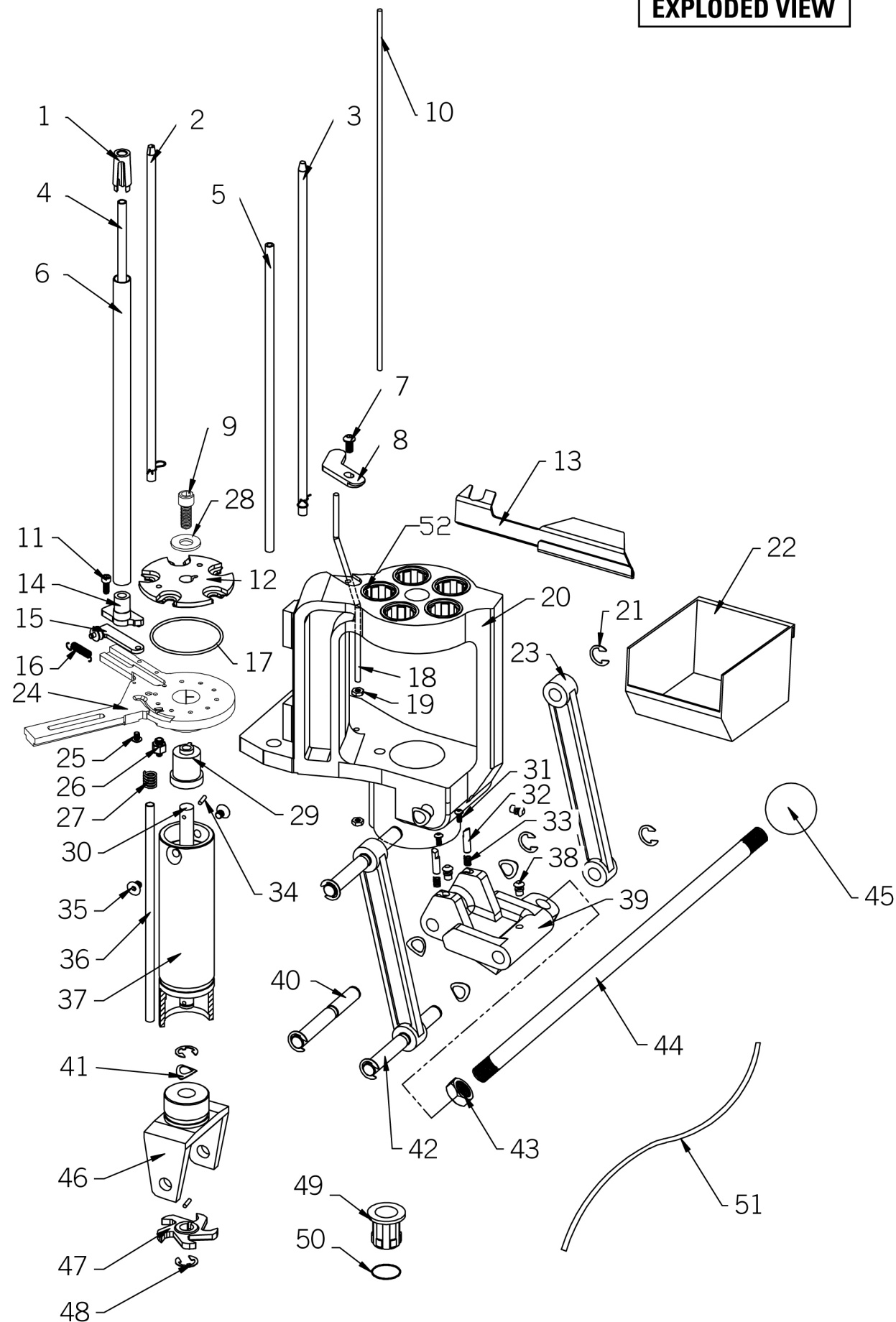


## EXPLODED VIEW



## BILL OF MATERIALS

ITEM NO.	PRODUCTION PART NO.	QTY.	DESCRIPTION
1	398318	1	SUPPORT PRIMER TUBE
2	398356	1	TUBE PRIMER PICKUP LARGE
3	398355	1	TUBE PRIMER PICKUP SMALL
4	398358	1	TUBE PRIMER LARGE
5	398357	1	TUBE PRIMER SMALL
6	398322	1	HOUSING TUBE PRIMER
7	392220	1	SCREW BHCS 1/4-20 X 1/2
8	392202	1	BRACKET LNLAP
9	392342	1	SHCS SS 3/8-16 X 3/4
10	398359	1	PRIMER FOLLOWER
11	392338	1	SCREW SHCS 10-24 X 1/2
12	39226_	1	SHELL PLATE
13	392455	1	BRACKET BOX CARTRIDGE
14	398319A	1	HOUSING BODY PRIMER TUBE
15	392218	1	PRIMER SLIDE LARGE ASSY.
15	392219		PRIMER SLIDE SMALL ASSY.
16	392336	1	SPRING PRIMER SLIDE
17	392363	1	SPRING CASE RETAINER
18	392210	1	CAM FEED PRIMER
19	392011	2	NUT NEX 10-32
20	190216	1	FRAME
21	392368	6	CLIP C C-50
22	480039	1	BOX CATCHER
23	392408	2	LINK LNLAP
24	398309T	1	SUB PLATE
25	390410	1	SCREW FHCS 1/4-28 X 3/8
26	398505	1	PRIMER SEATER PUNCH SMALL

ITEM NO.	PRODUCTION PART NO.	QTY.	DESCRIPTION
26	398507	1	PRIMER SEATER PUNCH LARGE
27	392467	1	SPRING COUNTER BALANCE
28	392345	1	3/8 FLAT WASHER SS
29	392355	1	DRIVE HUB
30	392356	1	DRIVE SHAFT
31	392231	2	SCREW BHCS 8-32 X 3/8
32	392344A	2	PAWL
33	392423	2	SPRING PAWL
34	392306	2	DOWL PIN 1/8 X 1/2
35	392221	2	SCREW FHCS 1/4-28 X 3/8
36	290029	1	SPENT PRIMER TUBE
37	392359	1	RAM
38	398422	3	GREASE ZERK™
39	392343	1	TOGGLE
40	392340	1	PIN YOKE
41	392424	5	SPRING WASHER
42	392417	2	PIN LINK TOGGLE
43	390027	1	NUT JAM 5/8-18
44	390657	1	HANDLE
45	480003	1	KNOB
46	392357	1	YOKE
47	392358A	1	INDEX WHEEL
48	390081	2	CLIP E 1/2
49	392302	5	LOCK-N-LOAD BUSHING MALE
50	392203	5	LOCK-N-LOAD BUSHING O-RING
51	392365	1	SPENT PRIMER TUBE PLASTIC
52	392301	5	LOCK-N-LOAD BUSHING FEMALE
53	398715	1	WASHER

### **“We guarantee every one of our reloading tools and accessories for Life” No-Risk, Lifetime Warranty**

Hornady reloading tools and accessories are warranted against material defects and workmanship for the life of the products. Parts which by nature of their function are subject to normal wear such as springs, pins, bearings, etc... and, parts which have been altered, abused, or neglected are excluded for the warranty.

If the product is deemed defective by either workmanship or material, the reloading tool or accessory will either be repaired, reconditioned or replaced at Hornady Manufacturing Company's option. **If it breaks, we'll repair it or replace it at no charge.**

To return a product call toll free, (800) 338-3220 and ask for Customer Service. They will provide instructions for return, if the problem can't be solved over the phone. Prices and or specifications are subject to change without notice. For the best prices on any of our products, contact your nearest Hornady dealer.

Hornady Manufacturing Company cannot assume liability for damage which may result from use of the products or information given herein, since Hornady had no control over the manner in which its products or components are used during reloading.