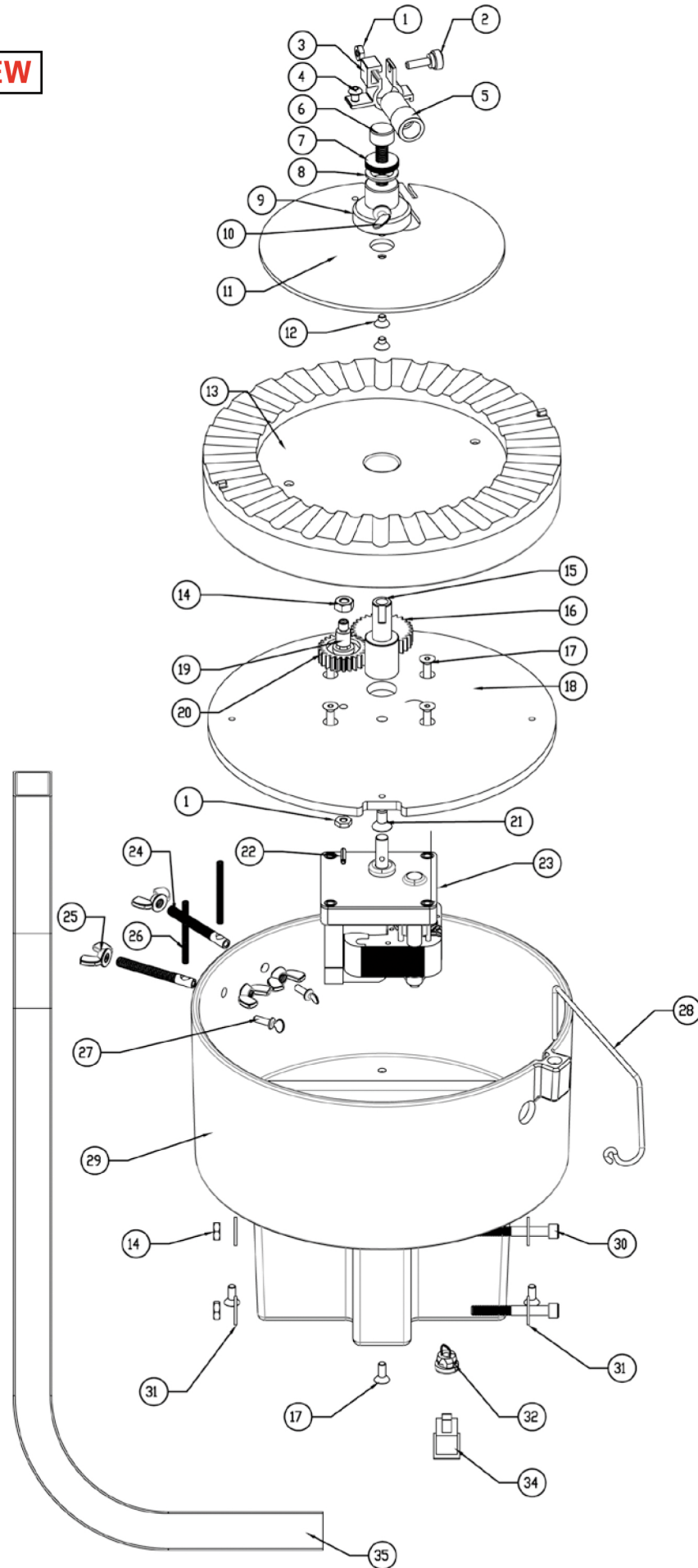


**EXPLODED VIEW**



**BILL OF MATERIALS**

Item No.	Production Part No.	Qty.	Description
1	392011	1	NUT HEX 10-32 ZINC
2	399209	1	STEEL KNURLED THUMB SCREW
3	399213	1	TUBE SPRING CLAMP
4	399210	1	BHCS 10-32 X 1/4
5	399214	1	TUBE BULLET DROP FUNNEL LARGE
5	399215	1	TUBE BULLET DROP FUNNEL MEDIUM
5	399216	1	TUBE BULLET DROP FUNNEL SMALL
6	399205	1	SCREW ADJUSTMENT BULLET FEED
7	399206	1	SCREW LOCK NUT ADJUSTMENT
8	398067	1	WASHER FLAT RUBBER
9	399208	1	CENTER PLATE ADJUSTMENT NUT
10	398400	1	THUMB SCREW 1/4-20 X 1/2
11	399202	1	HOPPER TURNING PLATE
12	398401	2	SCREW FHSCS 10-32 X 1/4
13	399201	1	BULLET FEED WHEEL PISTOL
14	399212	3	NUT HEX 1/4-20
15	399207	1	CENTER PIN BULLET PLATE
16	399218	1	SPUR GEAR 1.500 P.D., 30 TOOTH
17	398313	8	SCREW FHSCS 10-32 X 3/4
18	399203	1	BULLET FEEDER BASE PLATE

Item No.	Production Part No.	Qty.	Description
19	398402	1	IDELER GEAR SHAFT
20	399102	1	SPUR GEAR 1.200 P.D. 24 TOOTH
21	399244	1	FHCS 1/4-20 X 1/2
22	398381	1	PIN SPIROL 1/8 X 3/4
23	398399	1	MOTOR BULLET FEEDER
24	399222	2	SCREW BULLET WIPER
25	399242	4	NUT WING 1/4-20
26	399223	2	SPRING WIPER BULLET FEED
27	399224	3	SCREW THUM 8-32 X 1/2
28	399217	1	TUBE HOLDER BULLET FEEDER
29	399200	1	BULLET FEED HOPPER
30	399211	2	SHCS 1/4-20 X 2
31	390128	4	WASHER FLAT 1/4"
32	398418	1	BUSHING (HEYCO 1147) BLACK
33	399219	1	TUBE DROP SMALL
33	399243	1	TUBE DROP MEDIUM
33	399221	1	TUBE DROP LARGE
34	398332	1	SWITCH 2 POSITION
35	399204	1	SQUARE TUBING

**"We guarantee every one of our reloading tools and accessories for Life"  
No-Risk, Lifetime Warranty**

Hornady reloading tools and accessories are warranted against material defects and workmanship for the life of the products. Parts which by nature of their function are subject to normal wear such as springs, pins, bearings, etc... and, parts which have been altered, abused, or neglected are excluded for the warranty.

If the product is deemed defective by either workmanship or material, the reloading tool or accessory will either be repaired, reconditioned or replaced at Hornady Manufacturing Company's option. **If it breaks, we'll repair it or replace it at no charge.**

To return a product call toll free, (800) 338-3220 and ask for Customer Service. They will provide instructions for return, if the problem can't be solved over the phone. Prices and or specifications are subject to change without notice. For the best prices on any of our products, contact your nearest Hornady dealer.

Hornady Manufacturing Company cannot assume liability for damage which may result from use of the products or information given herein, since Hornady had no control over the manner in which its products or components are used during reloading.