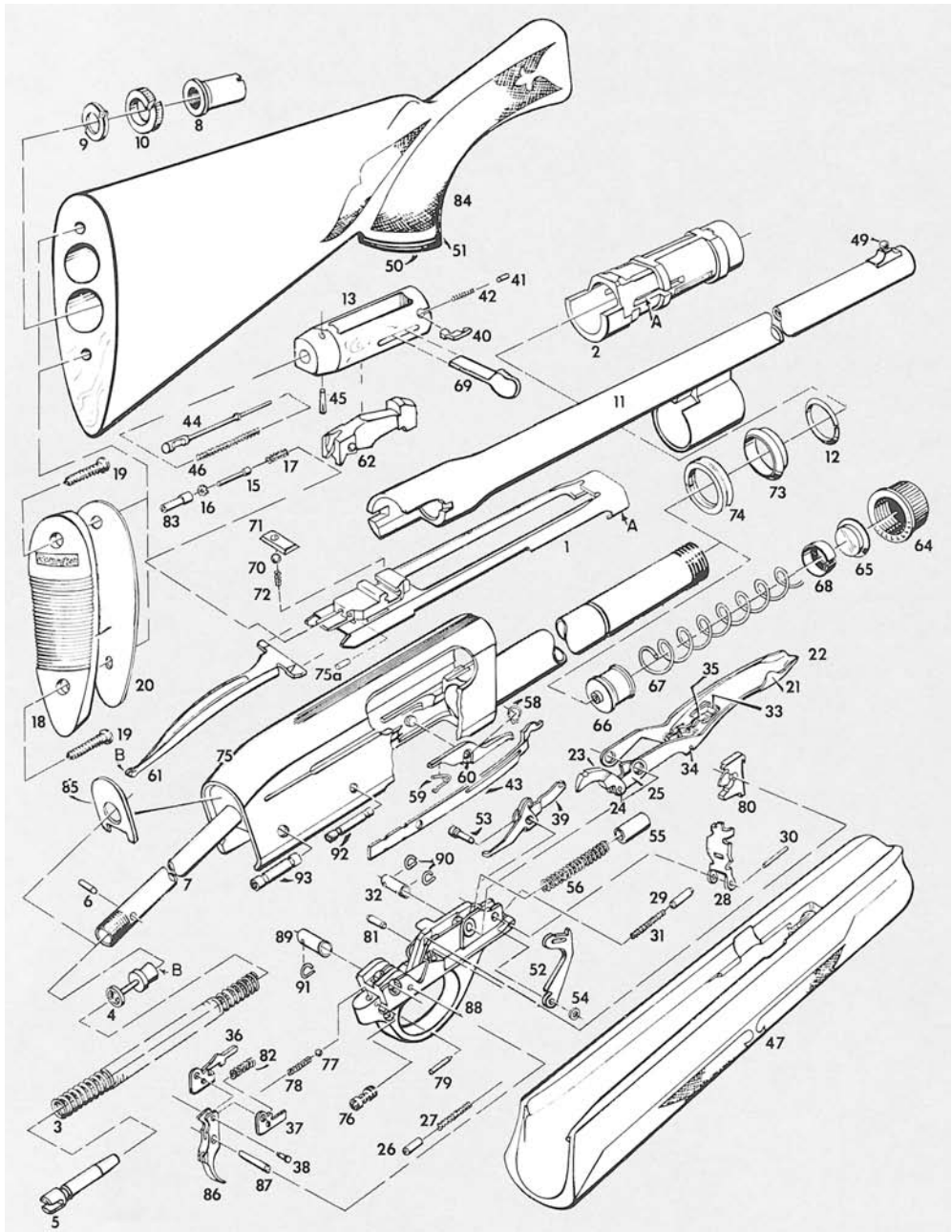


MODEL 1100™

Autoloading Shotgun



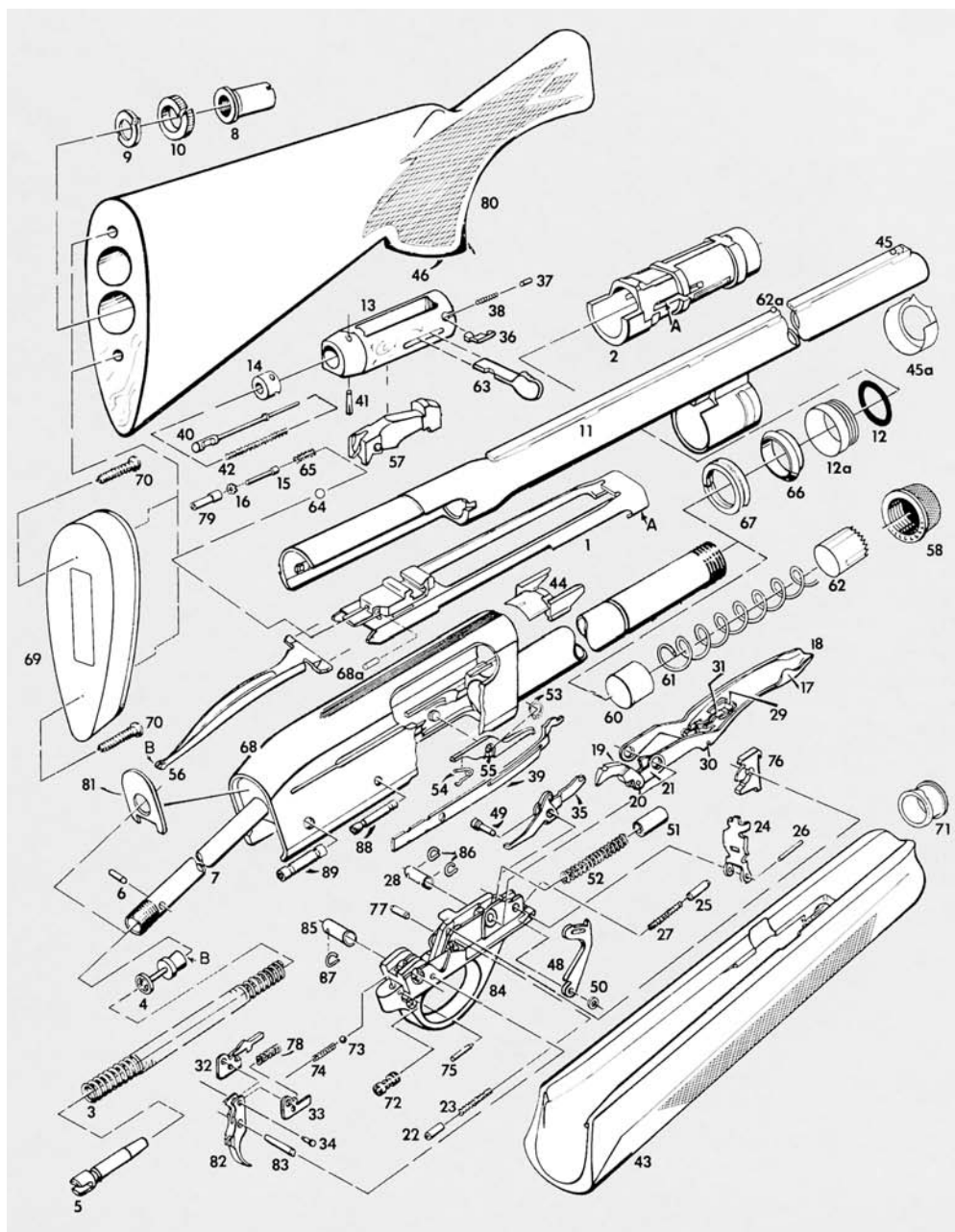
MODEL 1100™

Autoloading Shotgun PARTS LIST

VIEW #	PART NAME	VIEW #	PART NAME
NOTE: Parts subject to change without notice FOB Iliion, New York.			
1	Action Bar Assembly	52	Hammer
2	Action Bar Sleeve	53	Hammer Pin
3	Action Spring	54	Hammer Pin Washer
4	Action Spring Follower	55	Hammer Plunger
5	Action Spring Plug	56	Hammer Spring
6	Action Spring Plug Pin	58	Interceptor Latch Retainer
7	Action Spring Tube	59	Interceptor Latch Spring
8	Action Spring Tube Nut	60	Interceptor Latch
9	Action Spring Tube Nut Washer	61	Link
10	Action Spring Tube Nut Lock Washer	62	Locking Block Assembly
11	Barrel Assembly	64	Magazine Cap
12	Barrel Seal	66	Magazine Follower
13	Breech Bolt		Magazine Plug (3-shot)
	Breech Bolt Assembly	67	Magazine Spring
14	Breech Bolt Buffer	68	Magazine Spring Retainer
15	Breech Bolt Return Plunger	68 a	Middle Sight
16	Breech Bolt Return Plunger Retaining Ring	69	Operating Handle
18	Butt Plate Frame	70	Operating Handle Detent Ball
19	Butt Plate Insert	71	Operating Handle Plunger Retainer
20	Butt Plate Screw (Recoil Pad Not Shown)	72	Operating Handle Detent Spring
21	Carrier	73	Piston 20, 28 and .410 Ga.
22	Carrier Assembly	74	Piston Seal 20, 28 and .410 Ga.
23	Carrier Dog	74 a	Piston/Piston Seal Assembly 12 Ga. (Not Shown)
24	Carrier Dog Pin	75	Receiver Assembly Restricted
25	Carrier Dog Washer	75 a	Return Plunger Retaining Pin
26	Carrier Dog Follower	76	Safety Mechanism
27	Carrier Dog Follower Spring	77	Safety Mechanism Detent Plunger
28	Carrier Latch	78	Safety Mechanism Spring
29	Carrier Latch Follower	79	Safety Mechanism Spring Retaining Pin
30	Carrier Latch Pin	80	Sear
31	Carrier Latch Spring	81	Sear Pin
32	Carrier Pivot Tube	82	Sear Spring
33	Carrier Release	83	Slide Block Buffer
35	Carrier Release Pin	84	Stock Assembly
36	Carrier Release Spring	85	Stock Bearing Plate
37	Connector, Left Restricted	86	Trigger Restricted
38	Connector, Right Restricted		Trigger Assembly Restricted
39	Disconnecter	87	Trigger Pin
40	Extractor	88	Trigger Plate RH Safety Mechanism
41	Extractor Plunger		Trigger Plate LH Safety Mechanism
42	Extractor Spring		Trigger Plate Assembly RH Safety Mechanism
43	Feed Latch		Trigger Plate Assembly LH Safety Mechanism
44	Firing Pin	89	Trigger Plate Pin Bushing, Rear
45	Firing Pin Retaining Pin	90	Trigger Plate Pin Detent Spring, Front (Need 2)
46	Firing Pin Retractor Spring		
47	Fore-End Assembly	91	Trigger Plate Detent Spring, Rear
48	Fore-End Support Assembly	92	Trigger Plate Pin, Front
49	Front Sight	93	Trigger Plate Pin, Rear

MODEL 11-87™

Autoloading Shotgun



MODEL 11-87™

Autoloading Shotgun

PARTS LIST

VIEW #	PART NAME	VIEW #	PART NAME
NOTE: Parts subject to change without notice FOB Ilion, New York.			
1	Action Bar Assembly	48	Hammer
2	Action Bar Sleeve	49	Hammer Pin
3	Action Spring	50	Hammer Pin Washer
4	Action Spring Follower	51	Hammer Plunger
5	Action Spring Plug	52	Hammer Spring
6	Action Spring Plug Pin	53	Interceptor Latch Retainer
7	Action Spring Tube	54	Interceptor Latch Spring
8	Action Spring Tube Nut	55	Interceptor Latch
9	Action Spring Tube Nut Washer	56	Link
10	Action Spring Tube Nut Lock Washer	57	Locking Block Assembly
11	Barrel Assembly	58	Magazine Cap
12	Barrel Seal	60	Magazine Follower
12 a	Barrel Seal Activator (Used on 20 Ga. and 12 Ga. Super Magnum™ only)	60	Magazine Plug (3-shot)
13	Breech Bolt	61	Magazine Spring
	Breech Bolt Assembly	62	Magazine Spring Retainer
14	Breech Bolt Buffer	62 a	Middle Sight
15	Breech Bolt Return Plunger	63	Operating Handle
16	Breech Bolt Return Plunger Retaining Ring	64	Operating Handle Detent Ball
17	Carrier	65	Operating Handle Detent Spring
18	Carrier Assembly	66	Piston 12 Gauge
19	Carrier Dog	66	Piston Seal 20 Gauge
20	Carrier Dog Pin	67	Piston Seal 12 Gauge
21	Carrier Dog Washer	67	Piston 20 Gauge
22	Carrier Dog Follower	68	Receiver Assembly Restricted
23	Carrier Dog Follower Spring	68 a	Return Plunger Retaining Pin
24	Carrier Latch	69	Recoil Pad Brown
25	Carrier Latch Pin	70	Recoil Pad Screw
26	Carrier Latch Spring	71	Rubber Grommet (Model 11-87™ Sporting Clays Only)
27	Carrier Latch Spring	72	Safety Mechanism
28	Carrier Pivot Tube	73	Safety Mechanism Detent Plunger
29	Carrier Release	74	Safety Mechanism Spring
30	Carrier Release Pin	75	Safety Mechanism Spring Retaining Pin
31	Carrier Release Spring	76	Sear
32	Connector, Left Restricted	77	Sear Pin
33	Connector, Right Restricted	78	Sear Spring
34	Connector Pin Restricted	79	Slide Block Buffer
35	Disconnecter	80	Stock Assembly
36	Extractor	81	Stock Bearing Plate
37	Extractor Plunger	82	Trigger Restricted
38	Extractor Spring		Trigger Assembly Restricted
39	Feed Latch	83	Trigger Pin
40	Firing Pin	84	Trigger Plate RH Safety Mechanism
41	Firing Pin Retaining Pin		Trigger Plate LH Safety Mechanism
42	Firing Pin Retractor Spring		Trigger Plate Assembly RH Safety Mechanism
43	Fore-End Assembly	85	Trigger Plate Pin Bushing, Rear
44	Fore-End Support Assembly	86	Trigger Plate Pin Detent Spring, Front (Need 2)
45	Front Sight	87	Trigger Plate Detent Spring, Rear
45 a	Gas Cylinder Collar (Used on 12 Ga. Only - Not used on 12 Ga. Super Magnum)	88	Trigger Plate Pin, Front
46	Grip Cap	89	Trigger Plate Pin, Rear