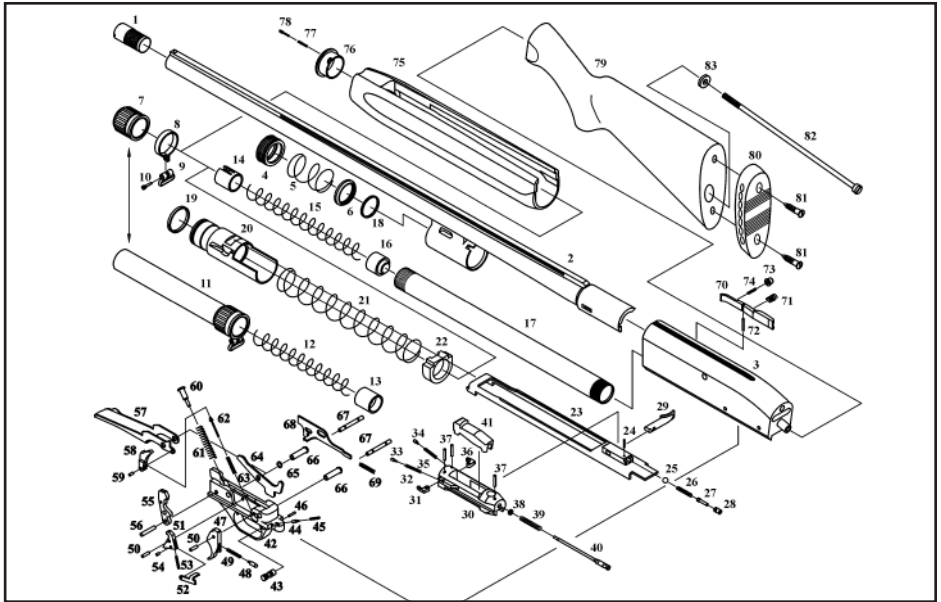


PARTS LIST

Model SPR453 Auto Loading Shotgun Exploded View



- | | | |
|------------------------------------|---------------------------------------|---------------------------------|
| 1.choke tube | 30.bolt | 58.carrier latch dog |
| 2.barrel | 31.left extractor | 59.carrier latch dog pivot |
| 3.receiver | 32.left extractor spring | 60.hammer plunger |
| 4.gas cylinder nut | 33.left extractor plunger | 61.main spring |
| 5.valve spring | 34.right extractor plunger | 62.carrier latch dog plunger |
| 6.valve | 35.right extractor spring | 63.carrier latch spring |
| 7.forend cap | 36.right extractor | 64.disconnecter |
| 8.sling swivel band | 37.firing pin retaining pin | 65.disconnecter busing |
| 9.sling swivel ring | 38.firing pin retractor spring washer | 66.pin tube |
| 10.sling swivel screw | 39.firing pin retractor spring | 67.trigger housing retainer pin |
| 11.magazine tube extension | 40.firing pin | 68.carrier stop catch |
| 12.magazine tube ext. spring | 41.locking block | 69.carrier stop catch spring |
| 13.magazine tube ext. insert | 42.trigger housing | 70.shell stop |
| 14.magazine spring retainer | 43.safety | 71.shell stop spring |
| 15.magazine spring | 44.safety plunger | 72.shell stop pivot |
| 16.magazine follower | 45.safety spring | 73.bolt release button |
| 17.magazine tube | 46.pin | 74.bolt release button spring |
| 19.external seal | 47.trigger | 75.forend |
| 20.piston/action bar sleeve | 48.trigger plunger | 76.cap retaining pin bushing |
| 21.recoil spring | 49.trigger spring | 77.cap retaining pin spring |
| 22.forend support | 50.pivot | 78.cap retaining pin |
| 23.action bar assembly | 51.sear | 79.buttstock |
| 24.pin | 52.trigger bar | 80.buttplate |
| 25.bolt cocking handle detent ball | 53.sear spring | 81.buttplate woodscrew |
| 26.spring | 54.trigger bar pivot | 82.buttstock screw |
| 27.plunger | 55.hammer | 83.buttstock washer |
| 28.bushing | 56.hammer pivot | |
| 29.bolt cocking handle | 57.carrier latch | |