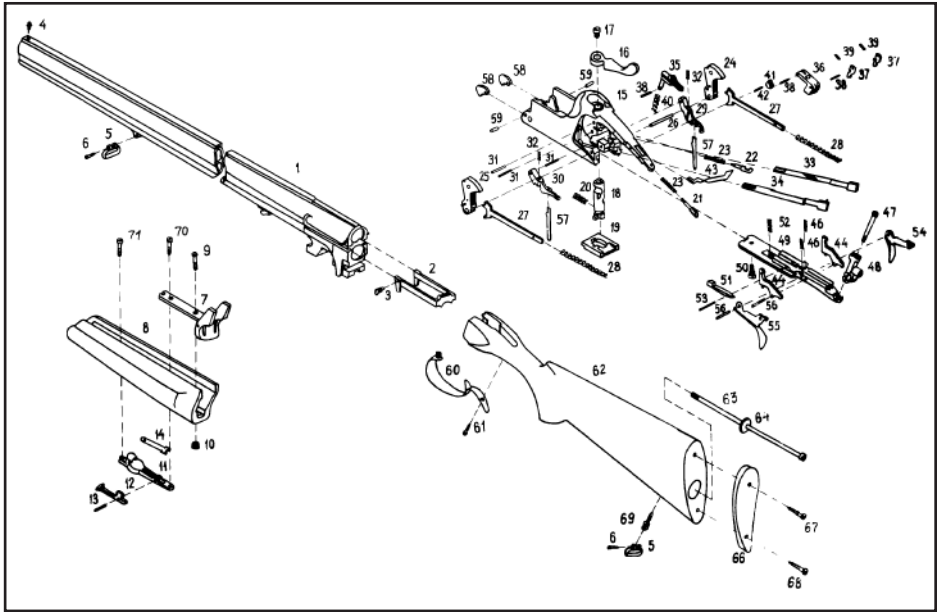


# PARTS LIST

## Model SPR310/320 Exploded View



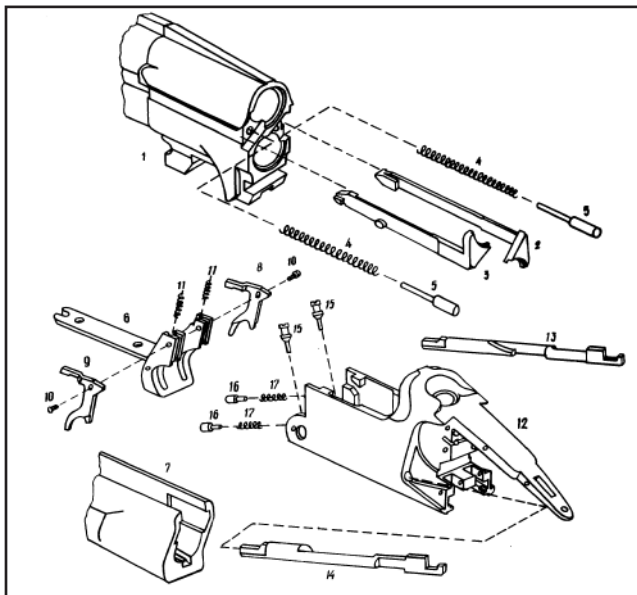
### List of Model 310 and 320 Components

- |                        |                               |                            |
|------------------------|-------------------------------|----------------------------|
| 1. barrel assembly     | 25. left-hand hammer assembly | 48. bridge                 |
| 2. ejector             | 26. pin                       | 49. base plate             |
| 3. screw               | 27. mainspring pivot          | 50. screw                  |
| 4. front sight         | 28. mainspring                | 51. locking strip retainer |
| 5. swivel ring         | 29. right-hand sear           | 52. spring                 |
| 6. pin                 | 30. left hand sear            | 53. pin                    |
| 7. hinge assembly      | 31. pin                       | 54. right-hand trigger     |
| 8. fore grip           | 32. spring                    | 55. left-hander trigger    |
| 9. screw               | 33. right-hand bolt plunger   | 56. pin                    |
| 10. bush               | 34. left-hand bolt plunger    | 57. trigger bar            |
| 11. catch casing       | 35. safety lock button        | 58. cock                   |
| 12. fore grip catch    | 36. safety lock base          | 59. pin                    |
| 13. pin                | 37. safety lock               | 60. trigger guard          |
| 14. spring             | 38. pin                       | 61. woodscrew              |
| 15. housing            | 39. spring                    | 62. butt                   |
| 16. locking lever      | 40. spring                    | 63. screw                  |
| 17. screw              | 41. clip                      | 64. washer                 |
| 18. locking lever axle | 42. pin                       | 65. butt plate             |
| 19. locking strip      | 43. slide                     | 66. butt plate             |
| 20. recoil spring      | 44. interceptor               | 67. woodscrew              |
| 21. top striker        | 46. spring assembly           | 68. woodscrew              |
| 22. bottom striker     |                               | 69. swivel base            |
| 23. striker spring     |                               | 70. screw                  |
| 24. right-hand hammer  |                               | 71. screw                  |
|                        |                               | 72. washer                 |
|                        |                               | 47. screw                  |

# Model 310/320 Ejector Parts

## LIST OF COMPONENTS

1. barrel assembly
2. right-hand ejector
3. left-hand ejector
4. ejector spring
5. plunger
6. hinge assembly
7. fore grip
8. ejector right-hand sear
9. ejector left-hand sear
10. ejector sear bolt
11. spring
12. base
13. right-hand bolt plunger
14. left-hand bolt plunger
15. tripping lever
16. tripping lever catch
17. spring



# Model 310 Single Trigger Mechanism Parts

## LIST OF COMPONENTS

1. carrier
2. locking strip
3. right-hand sear
4. left-hand sear
5. inertia-type tripping lever
6. interceptor
7. base plate
8. trigger
9. selector lever
10. selector lever spring
11. selector lever pin
12. trigger bar
13. tripping lever spring
14. trigger bar spring
15. tripping lever pin
16. trigger bar pin
17. trigger spring
18. change lever spring screw
19. interceptor spring

