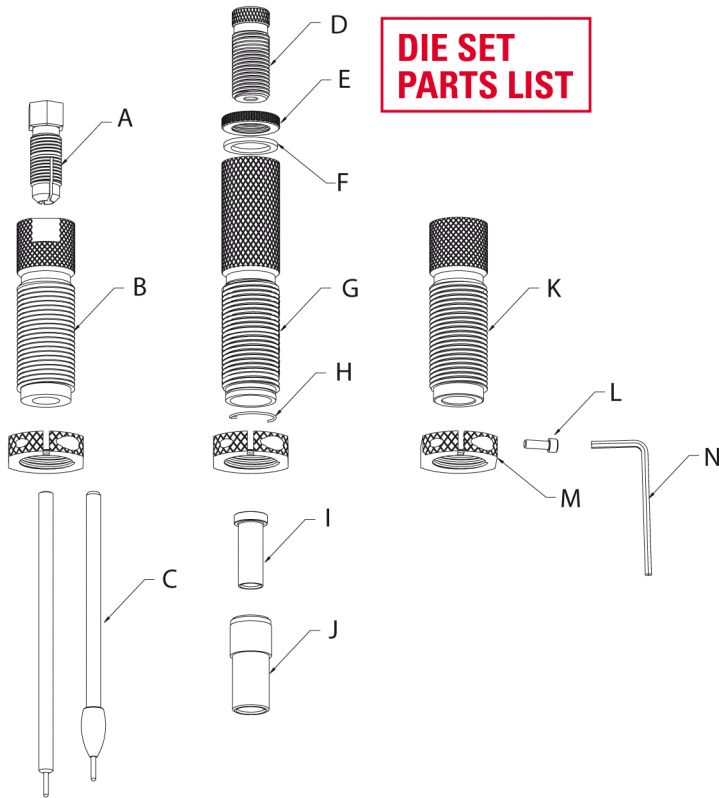


DIE SET PARTS LIST



Key	Description	Part No.
A	Large Spindle Lock	396335
	Small Spindle Lock	396336
B	Size Die Body	*
C	Spindle/Decap Pin (plus Expander on Bottleneck Dies only)	*
D	Seater Adjusting Screw	044100
E	Seater Lock Nut	044800
F	Washer	398067
G	Seater Die Body	*
H	Retaining Ring (2) (3-Die Set only)	396430
I	Seating Stem	*
J	Alignment Sleeve	*
K	Expander Die Body (3-Die Set only)	*
L	Lock Ring Screw	390200
M	Sure-Loc Lock Ring	044000
N	Allen Wrench	390656

*Caliber specific part numbers are assigned to these items.