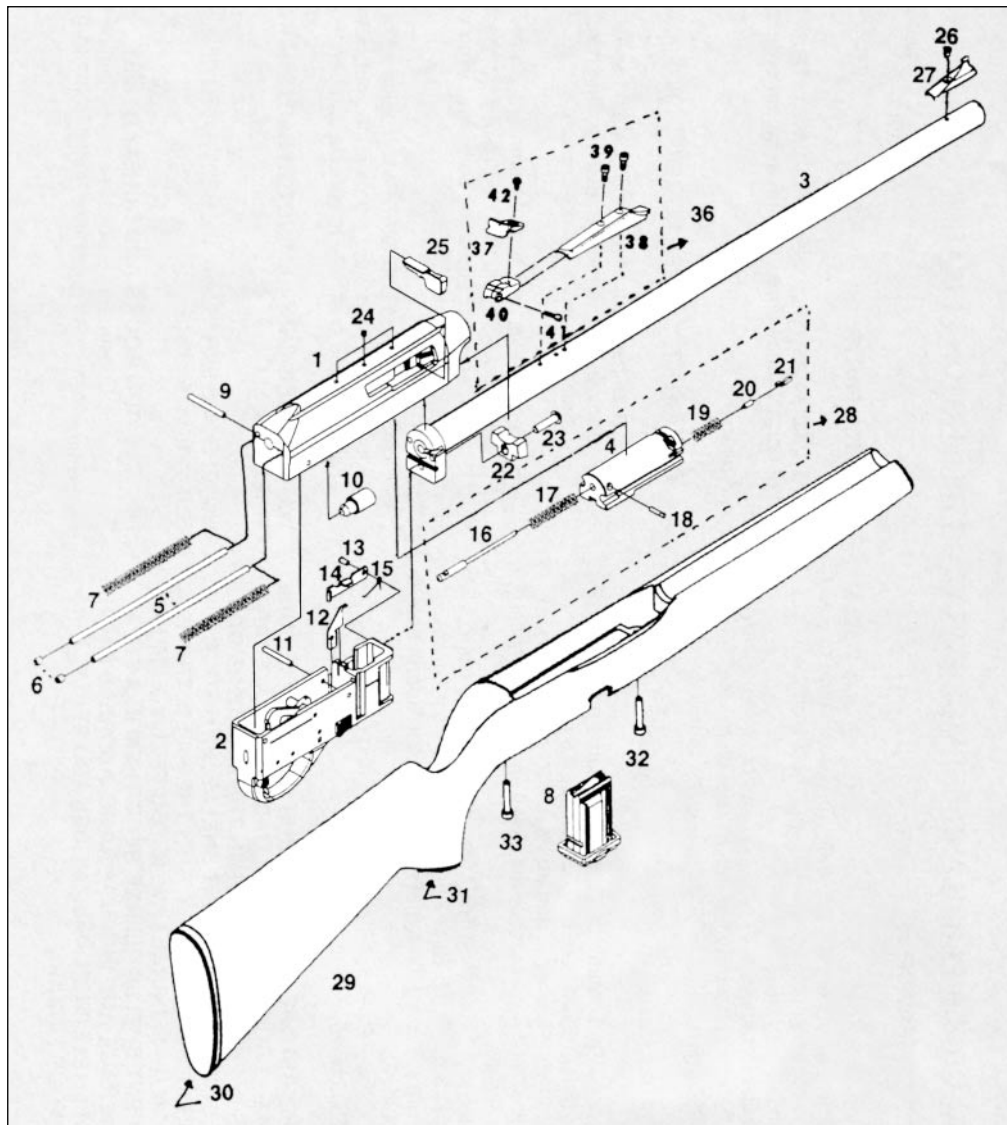


MODEL 597™/MODEL 597 Magnum

Autoloading Rimfire Rifle



MODEL 597™/MODEL 597 Magnum

Autoloading Rimfire Rifle

PARTS LIST

VIEW #	PART NAME	VIEW #	PART NAME
	MODEL 597™		MODEL 597 LSS
			Parts that are different from 597
1	Receiver (Restricted)	*	Front Stock Insert
2	Trigger Housing Assembly	*	Rear Stock Insert
3	Barrel Assembly	1	Receiver (Restricted)
4	Bolt (Restricted)	3	Barrel Assembly, Stainless
5	Bolt Guide Rail (2)	24	Receiver Plug Screw (3)
6	Guide Rail Screws (2)	35	Stock Assembly LSS (Laminate)
7	Action Springs (2)	*	Butt Plate
8	Magazine Box Assembly	*	Butt Plate Insert
9	Assembly Pin	*	Butt Plate Screws (4)
10	Bolt Buffer	*	Sling Swivel Studs (2)
11	Pivot Pin	35	597 Sporter-Stock Assy.
12	Ejector		
13	Hold-Open Pin		
14	Hold-Open		
15	Hold-Open Spring		
16	Firing Pin		
17	Firing Pin Spring		
18	Firing Pin Retaining Pin		
19	Extractor Spring		
20	Extractor Plunger		
21	Extractor		
22	Barrel Clamp		
23	Barrel Clamp Screw		
24	Receiver Plug Screw (3)		
25	Bolt Handle		
26	Front Sight Screw		
27	Front Sight		
28	Bolt Assembly		
*	Bolt Handle Spring		
*	Bolt Spring Rivet		
29	Stock Assembly		
30	Butt Plate		
31	Grip Cap		
32	Takedown Screw (1), Front		
33	Takedown Screw (1), Rear		
36	Rear Sight Assembly Complete		
37	Rear Sight Aperture		
38	Rear Sight Base		
39	Rear Sight Base Screw (2)		
40	Rear Sight Slide		
41	Elevation Screw		
42	Windage Screw		
			MODEL 597 Magnum
			Parts that are different from 597
		1	Receiver (Restricted)
		2	Trigger Housing Assembly
		3	Barrel Assembly
		4	Bolt (Restricted)
		7	Inner Action Spring (2)
		7	Outer Action Spring (2)
		8	Magazine Box Assembly
		10	Bolt Buffer
		12	Ejector
		14	Hold-Open
		35	Stock Assembly
		*	Sling Swivel Studs (2)
		19	Extractor Spring
		35	597 Magnum L.S.-Stock Assy.
		28	Bolt Assembly
			* Part Not Illustrated