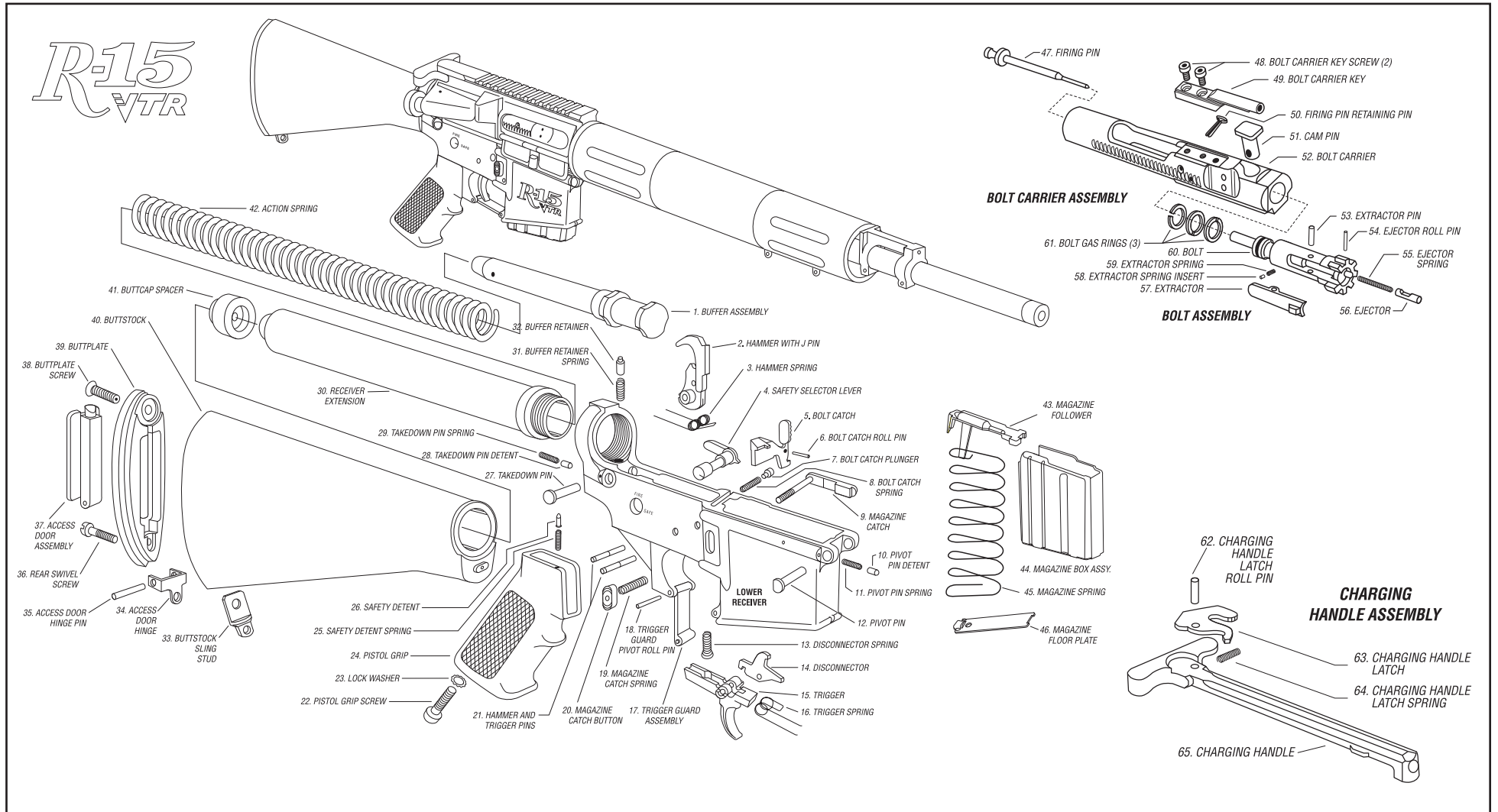


# PARTS LIST

## Remington R-15 VTR Modular Repeating Rifle Exploded View

### List of R-15 VTR Components



- |                          |                                  |                             |                            |                           |                                |                                    |
|--------------------------|----------------------------------|-----------------------------|----------------------------|---------------------------|--------------------------------|------------------------------------|
| 1. buffer assembly       | 10. pivot pin detent             | 19. magazine catch spring   | 28. takedown pin detent    | 37. access door assembly  | 47. firing pin                 | 57. extractor                      |
| 2. hammer with j pin     | 11. pivot spring                 | 20. magazine catch button   | 29. takedown pin spring    | 38. buttplate screw       | 48. bolt carrier key screw (2) | 58. extractor spring insert        |
| 3. hammer spring         | 12. pivot pin                    | 21. hammer and trigger pins | 30. receiver extension     | 39. buttplate             | 49. bolt carrier key           | 59. extractor spring               |
| 4. safety selector lever | 13. disconnecter spring          | 22. pistol grip screw       | 31. buffer retainer spring | 40. buttstock             | 50. firing pin retaining pin   | 60. bolt                           |
| 5. bolt catch            | 14. disconnecter                 | 23. lock washer             | 32. buffer retainer        | 41. buttcap spacer        | 51. cam pin                    | 61. bolt gas rings                 |
| 6. bolt catch roll pin   | 15. trigger                      | 24. pistol grip             | 33. buttstock sling stud   | 42. action spring         | 52. bolt carrier               | 62. charging handle latch roll pin |
| 7. bolt catch plunger    | 16. trigger spring               | 25. safety detent spring    | 34. access door hinge      | 43. magazine follower     | 53. extractor pin              | 63. charging handle latch          |
| 8. bolt catch spring     | 17. trigger guard assembly       | 26. safety detent           | 35. access door hinge pin  | 44. magazine box assembly | 54. ejector roll pin           | 64. charging handle latch spring   |
| 9. magazine catch        | 18. trigger guard pivot roll pin | 27. takedown pin            | 36. rear swivel screw      | 45. magazine spring       | 55. ejector spring             | 65. charging handle                |
|                          |                                  |                             |                            | 46. magazine floor plate  | 56. ejector                    |                                    |